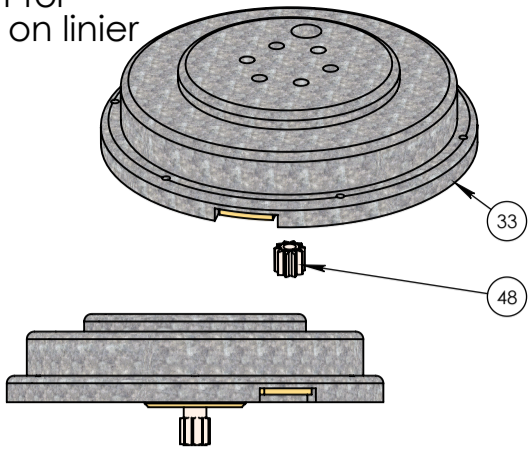
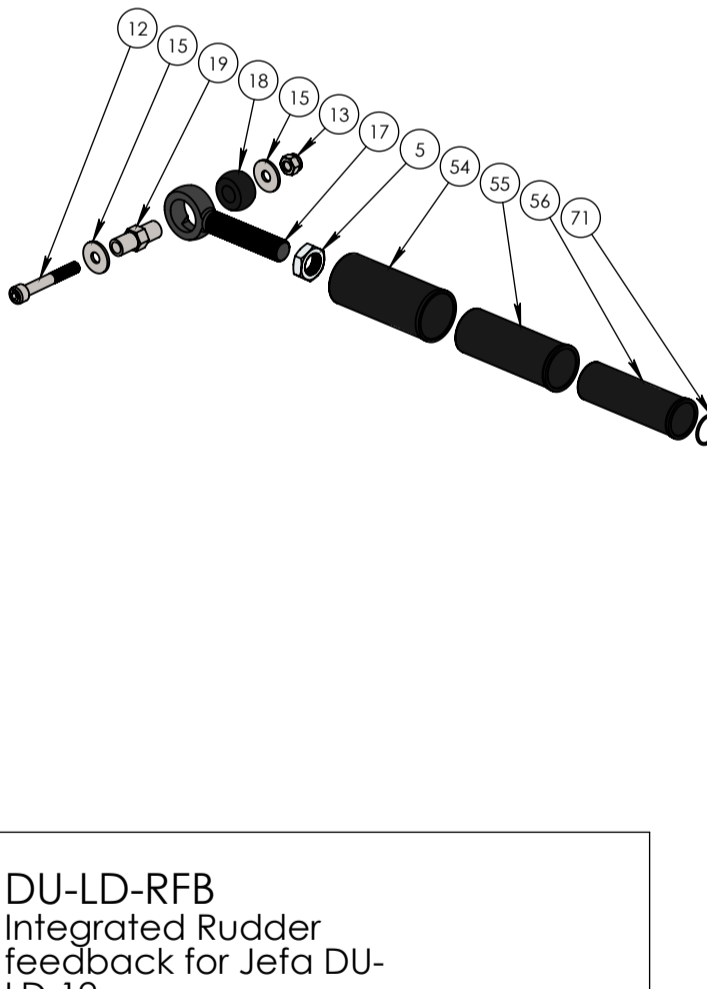
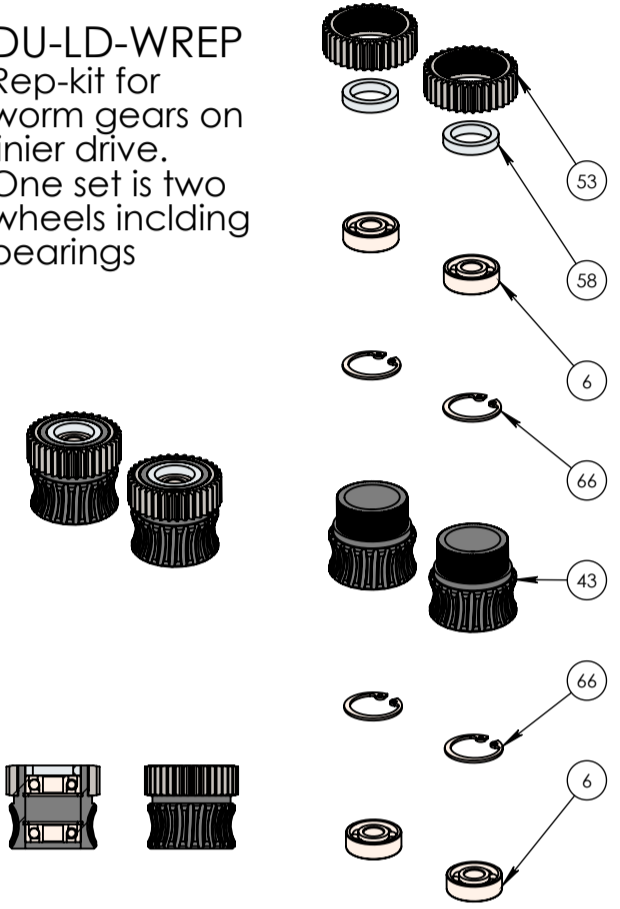


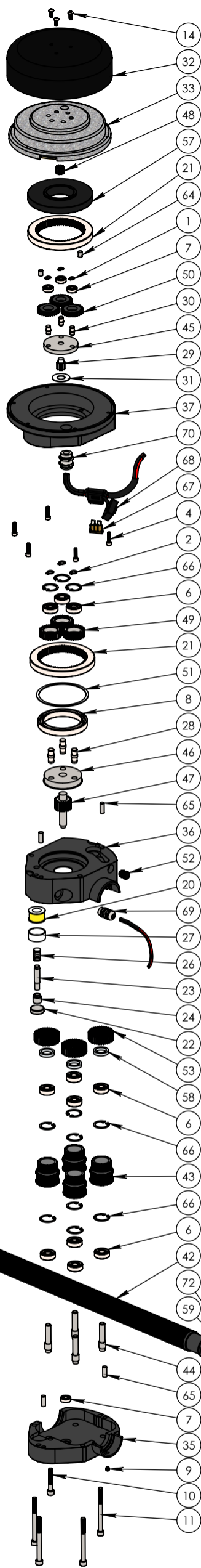
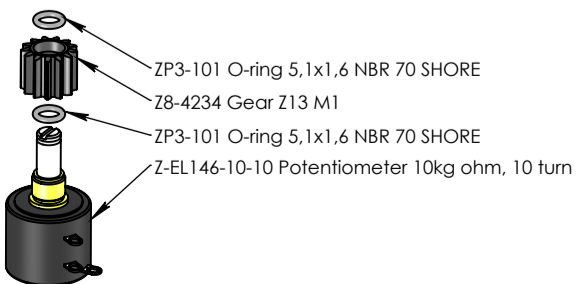
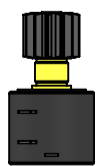
DU-LD-MOR
Rep-kit for motor on linier drive.



DU-LD-WREP
Rep-kit for worm gears on linier drive.
One set is two wheels including bearings



DU-LD-RFB
Integrated Rudder feedback for Jefa DU-LD-12.
Will be mounted with cables when ordering with linier drive



ITEM NO.	PART NUMBER	QTY.
1	Z-DIN0471-A06 Lockring outside A6 DIN471	3
2	Z-DIN0471-A08 Lockring outside A8 DIN471	3
3	Z-DIN0471-A12 Lockring outside A12 DIN471	2
4	Z-DIN0912-M04x16 Hexagon socket head screw CH A2 M4x16	5
5	Z4-403 Nut Alloy M20-NV27	1
6	ZBB-608 ballbearing 2RS 8x22x8mm	11
7	ZBB-696 ballbearing 2RS 6x15x5mm	4
8	ZBB-61811 ballbearing um 55x72x9mm	1
9	Z-DIN0915-M05x06 Socket Set Screw M5x6mm	1
10	Z-DIN0912-M06x35 Hexagon socket head screw CH A2 M6x35	1
11	Z-DIN0912-M06x70 Hexagon socket head screw CH A2 M6x70	4
12	Z-DIN0912-M10x70 Hexagon socket head screw CH A2 M10x70	1
13	Z-DIN0985-M10 Locknut A2 M10	1
14	Z-ISO7380-M04x10	3
15	Z-DIN9021-M10 Washer for 10mm shaft	2
16	Z3-130-18 Stainless tube for Sheeves	1
17	Z4-400 Rosejoint for POM ball black	1
18	Z4-405 Rosejoint ball Delrin for ø16mm	1
19	Z5-075 Pin Ø16 x Ø16 5mm.dwg	1
20	Z8-1008 24 Coil spole PETP	1
21	Z8-1009 - Inner gear Z70 M1	2
22	Z8-1015 Magnet N30 20x6mm fornicket	1
23	Z8-1106 - Clutch shaft	1
24	Z8-1107 - Clutch iron bush	1
25	Z8-1110 Bøsning ID ø12mm	2
26	Z8-1114 - Spring for Clutch	1
27	Z8-1135 Lock for spule	1
28	Z8-2104 - 8mm shaft for step 2	3
29	Z8-2107 - Gear wheel Z10 M1	1
30	Z8-2109 - 6mm shaft for step 1	3
31	Z8-2147 Washer ø12xø22x0,8 polycarbonat sort	3
32	Z8-3230 - Motor cover	1
33	Z8-4132 Golden motor	1
34	Z8-4190 Rubber washer	8
35	Z8-5105 Linier Drive Bottom plate	1
36	Z8-5110 Linier Drive Middle Plate	1
37	Z8-5115 Linier Drive Top Plate	1
38	Z8-5120 Linier Drive Turn Plate	1
39	Z8-5125 Linier Drive Foot Plate	1
40	Z8-5130 Linier Drive Tube	1
41	Z8-5135 Linier Drive Turnshaft	1
42	Z8-5145 LD2 Worm	1
43	Z8-5152 Worm Wheel	4
44	Z8-5155 LD2 Worm Wheel Shaft	4
45	Z8-5165 Planet gear plate step 1 LD2	1
46	Z8-5170 Planet gear Plate step 2 LD2	1
47	Z8-5175 Gear Wheel M1 Z22	1
48	Z8-5177 - Gear wheel Z10 M1 for LD2	1
49	Z8-5180 Gear Z30 M1 Steel	3
50	Z8-5185 Gear Z30 M1 Delrin	3
51	Z8-5190 LD2 Lockring	1
52	Z8-5198 DU-LD prop for rudderfeedback	1
53	Z8-5205 LD Gear Wheel Z35 M1	3
54	Z8-5210 Telescope Tube type 1	1
55	Z8-5212 Telescope Tube type 2	1
56	Z8-5214 Telescope Tube type 3	1
57	Z8-5220 Pasningsring for Motor	1
58	Z8-5224 Lockring for Worm Wheel LD2	3
59	Z8-5228 Lockring for wormshaft stop thick	2
60	Z8-5231 Belastningsstopping for wormshaft	1
61	Z8-5234 Ring for Nitte	1
62	Z8-5236 Støttering	1
63	Z8-5240 Gear Z13 M1	1
64	Z-DIN0007-06x08 Cylindrisk A2 stift 06x08mm	2
65	Z-DIN0007-06x16 Cylindrisk A2 stift 6x16mm	4
66	Z-DIN0472-J22 Låsering J22 DIN472 fjederstål	11
67	Z-EL108 Automotive fuse 7.5Amp BROWN	1
68	Z-EL116 House for automotive fuse	1
69	Z-EL140 Messingforskrning HKS 12x1.5	1
70	Z-EL141 Messingforskrning HKS 16x1,5	1
71	ZP3-112 O-ring 25x2mm NBR 70 SHORE	1
72	ZP3-116 o-ring 25x3.5	5

DWG NR / NAME: LD12 / Autopilot drive exploded view

PROJECT: Linier drive 12V

DATE: 02-02-2009

NAME: KJ

SCALE / PAPER: 1:6.8 / A3

MATERIAL: g

LOCATION:

BATCH NR:

REKV.NR / ORDRE NR:

ORDRE DATO:

LEV.DATO:



JEFA STEERING ApS
AGENAVEJ 43
2670 GREVE. DENMARK
Tlf: +45 4615 5210 & Fax: +45 4369 5211
Email: info@jefa.com www.jefa.com